

Quick Guide with Rigging

To start installing your enclosure system First make sure all components are with received package from Enclosureguy.com. There should be a packing list & cut sheet included with your order. Go through list and check off all components in received package. Verify that you have the correct sizes of tracks, weather flap tracks and curtains with all its hardware. Then continue to the curtain rigging process.

1. Installing Curtain Track

To get started first locate wall of the opening that will have the enclosure system. Once located install the track or tracks to the wall with screws provided. You will need to pre-drill holes on all tracks including weather flap tracks. Start pre-drill holes 1-1/2" from each end and 12" after that. Do not screw all the way in to wall, allowing for other components that will be placed behind the track as explained in the following steps. (see Figure 1)

NOTE: Curtain tracks are numbered according to the cut sheet supplied.

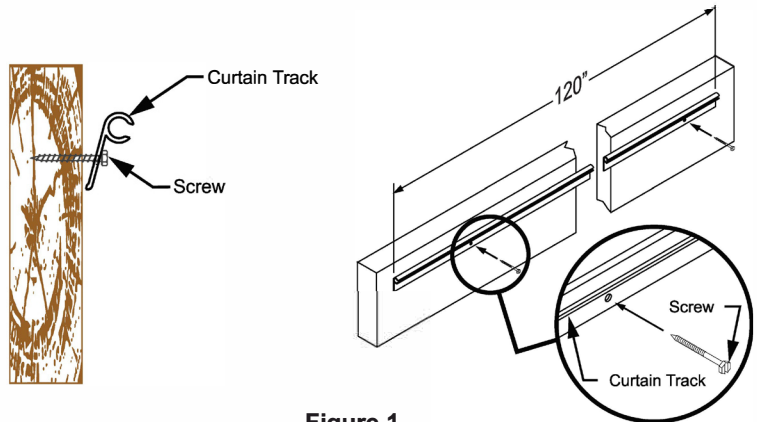


Figure 1

2. Installing Cinch Straps

Once track or tracks are tacked on to wall loosely, place cinch straps behind track starting 12" from both ends of track. Pull cinch strap through top about 3". Depending on the length of track the number of cinch straps will vary. If your curtain is 120" long there should be 4 straps starting at 12" from both ends and 32" on center in between the other two. Tie downs should correspond with the number of cinch straps. (see Figure 2)

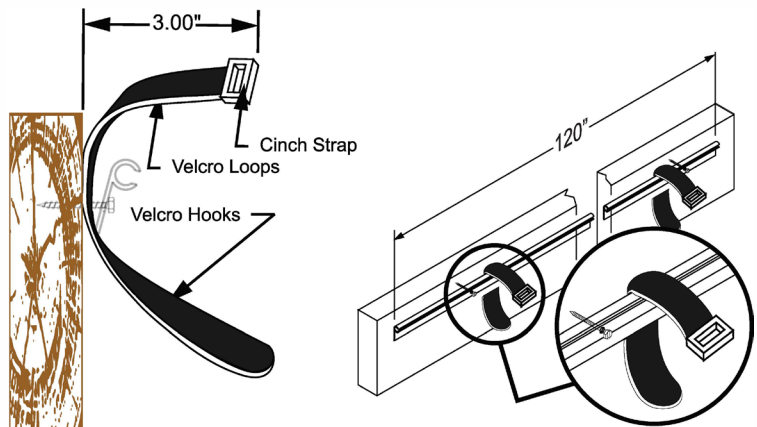


Figure 2

3. Installing First Single & Double Pulley

The next step would be to loosely attach the single pulley's about .75" above the track. Leaving enough space to run pulley rope right behind pulley eye strap. Install double pulley on the end of the track depending if it is a right or left pull. (see Figure 3)

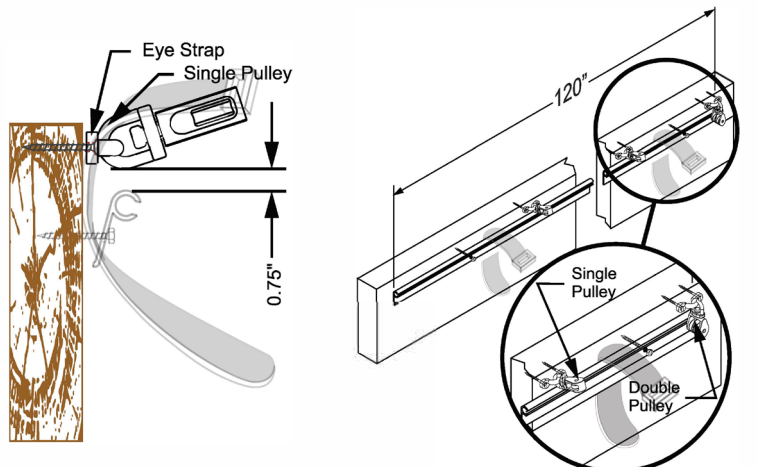


Figure 3

4. Installing Pulley Rope

After attaching the single and double pulleys, grab one end of the rope and tie a knot on the end of it. Slip rope with knot end behind the track and pulley eye strap. Tighten screw enough to hold rope, but do not screw all the way. Rope should not be able to be pulled back through once screw has been completely screwed in. Grab the other end and run rope through single pulley and through either side of the double pulley. In the package received there is a bottom pipe this can be used in the loop to keep loop from shortening when going to the double pulley and tying it to the cleat.

CAUTION DO NOT screw through rope or cinch strap this will weaken them.

Wrap rope around cleat three times and cut rope about two feet below cleat. Burn the end of the ropes that were cut and allow to cool down before continuing. Continue to the second pulley and continue with the same process as with the first single pulley until all rigging process is complete. (see Figure 4)

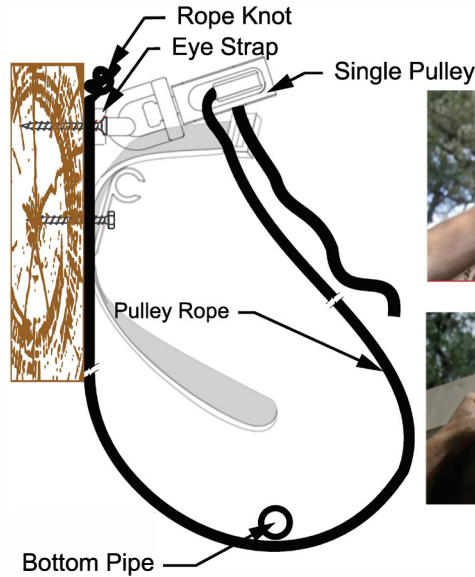
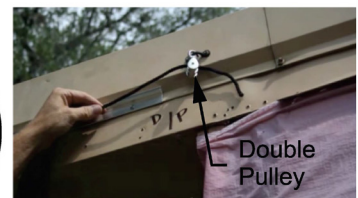


Figure 4



5. Installing Curtain on to Track

Once both ropes are through the pulleys, proceed to installing curtain on track going through the loops created by the ropes. Make sure to install the center curtain first and then the outside curtains. Unroll curtain from shipping since it is rolled backwards to protect it when being shipped. Roll back up the opposite direction from how it was shipped and install on to track as shown. The curtain rolled up would make it at a lot easier to install. Continue to do the same process for the rest of the curtains. At this time you can install the bottom pipe into the corresponding curtain pocket.

Raise curtain slightly and when curtain starts curving up cut any excess rope and tie around cleat. (see Figure 5)

6. Installing D-Rings

Next step would be to install the D-rings onto floor deck or concrete floor. Mark the spot on the floor deck or concrete floor where the D-Rings will be installed. If installing to concrete floor use the hammer drill to drill into concrete and install the D-Rings. Once all D-rings are installed, clip and tension the tie down straps. (see Figure 5)

Continue to install the next curtain using the same

WARNING NEVER leave curtain out when temperatures are below 20° F curtain will crack and not be usable. Place curtain indoors if not going to be installed.

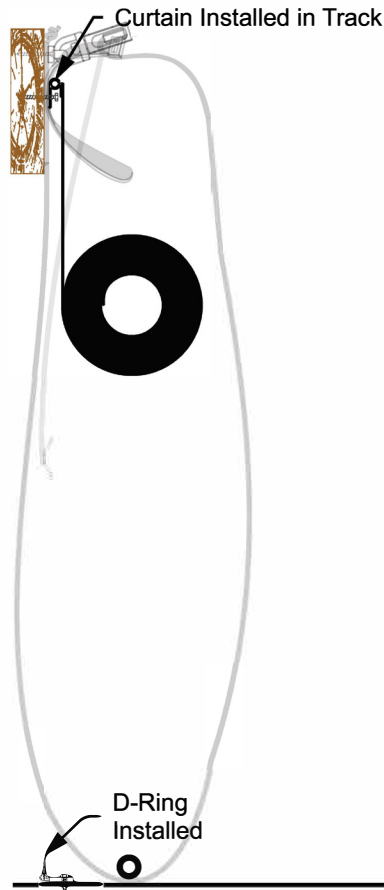


Figure 5



7. Attaching Curtains with Zippers

Attach each curtain with each other by aligning the two zipper ends. Once side will be longer than the other. The is intentionally left like this to allow for easier installation of the zipper.

A. If you notice there is a flat side and a raised side on the zipper.(see **Figure 7**)

B. The raised side is facing forward. Insert zipper slider bullnose facing down with the wider side of the slider engaging with the raised side of the zipper tape.(see **Figure 8**)

C. Insert the slider on the longer piece of the zipper tape first. Next push the coil of the second half of the zipper inside the zipper slider fully before pushing the slider down.(see **Figure 9**)

NOTE: If after several attempts the zipper tape becomes frayed trim it slightly and begin to install zipper again. **DO NOT** cut the zipper tape even! It is easier to install when uneven.

D. The zipper coil will “click” when it engages with the other half of the zipper tape.(see **Figure 10**)

E. Hold both halves of the zipper tape and push the zipper slider down at the same time to engage the zipper tape. Pull the zipper slider to close the curtain.(see **Figure 11**) If this seems difficult, don’t force the zipper slider. Adjust the curtains toward the zipper chain. This will take the tension of the slider and they will close with ease. Once zipper is installed and zipped down. There will be some excess zipper at the top.

F. Fold the excess zipper tape and cinch it with the cable tie. (see **Figure 12**) This creates a zipper stop for the zipper slider. The excess can be tucked behind curtain.(see **Figure 13 & 14**) When you open and close the curtains with the pole hook, this prevents the zipper slider from flying off the zipper tape.



Figure 7



Figure 8



Figure 9



Figure 10



Figure 11



Figure 12



Figure 13



Figure 14

NOTE: The clear curtains will shrink overtime. So EnclosureGuy.com has the solution. Filler Flaps are expansion panels which are installed after the curtains become difficult to zip. Filler Flaps are included with most orders. Try to adjust the curtains closer together if this does not help call EnclosureGuy.com and order Filler Flaps. Filler Flaps are for excessive shrinkage. They prevent damage to the zippers and prolong the life of your enclosure.

8. Installing Weather Flap Tracks

After attaching curtain proceed to install weather flaps to structure. There should be weather flap tracks labeled on items received with a WF and a number on it. Do not confuse these with the curtain tracks. Curtain tracks just have a number on it. (see Figure 15 & 16)

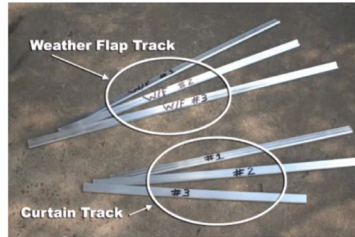


Figure 15



Figure 16

9. Installing Weather Flap

Proceed with installing the track to the weather flap. Start from the bottom of the weather flap when installing. This will make it easier to maneuver the weather flap and track when installing.

Once all the curtains are zippered together align the assembly, mark, and locate the weather flap track placement and install.

Never install weather flap under tension. Even though they appear to be oversized. They are design to accommodate for shrinkage overtime.(see Figure 17 & 18)



Figure 17



Figure 18

10. Adjustment of Pulley Ropes

Installation is almost complete, slightly tension the pulley ropes and wrap around the cleat a few times. Cut the excess rope to length and burn ends. Finish the ends with a knot at the end so that the rope won't have an opportunity to run back through the pulleys.

11. Zipping and Unzipping

To unzip or zip the curtain and weather flap use the hook supplied with your order.(see Figure 19)

NOTE: Never unzip higher than the top colored trim on the curtain.



Figure 19

12. Retracting Enclosure

To retract enclosure hand roll curtains to about chest high and while holding the curtain grab the rope. Slowly and evenly raise the curtain upward. (see Figure 20)

Cleat off the rope spool and hang the excess on the cleat. (see Figure 21)

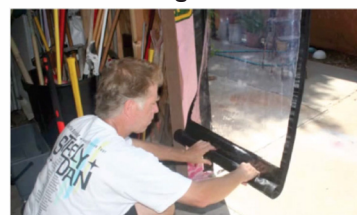


Figure 20



Figure 21

NOTE: The clear curtains will shrink overtime. So EnclosureGuy.com has the solution. Filler Flaps are expansion panels which are installed after the curtains become difficult to zip. Filler Flaps are included with most orders. Try to adjust the curtains closer together if this does not help call EnclosureGuy.com and order Filler Flaps. Filler Flaps are for excessive shrinkage. They prevent damage to the zippers and prolong the life of your enclosure.

13. Curtain Retracted

When curtain is rolled up the diameter width of the curtain is in-between 8 to 10 inches. (see Figure 22)

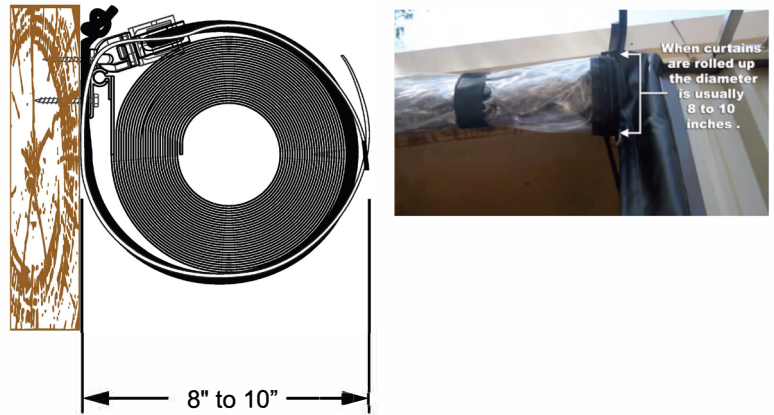


Figure 22

14. Seasonal Cleaning

Seasonal cleaning is recommended to prolong your enclosure for many years. Use 210 polish and micro fiber cloths, which can be purchased at www.EnclosureGuy.com. (see Figure 23 & 24)



Figure 23



Figure 24

ENJOY YOUR ENCLOSURE!!!

Installation video



If you are having problems installing enclosure system please scan QR code with your smart phone for more information on how to install enclosure system or copy or type link below to your browser.

<https://youtu.be/B1m12pj3bE0>